



END USER INSTRUCTIONS - READ BEFORE USE

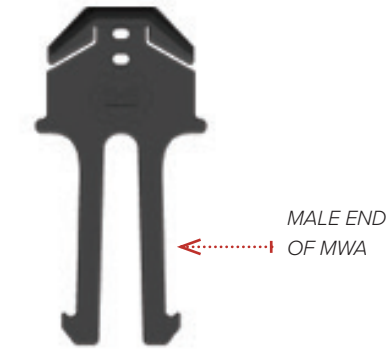
PRODUCT NAME:

Manta Strobe

with MANTA WEBBING ADAPTER (MWA)

PART NUMBER:

MS-00XX



MALE END
OF MWA



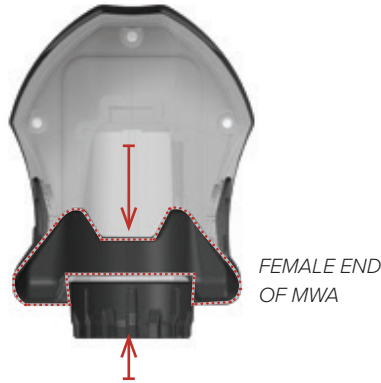
MANTA



FEMALE END
OF MWA

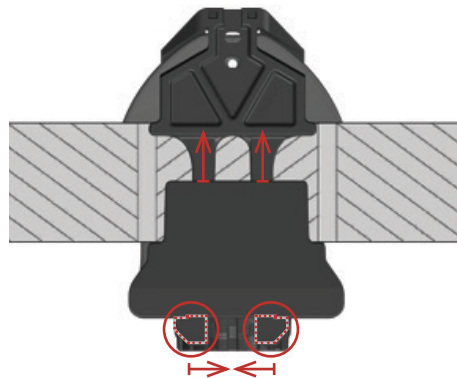


MANTA
TAIL CAP

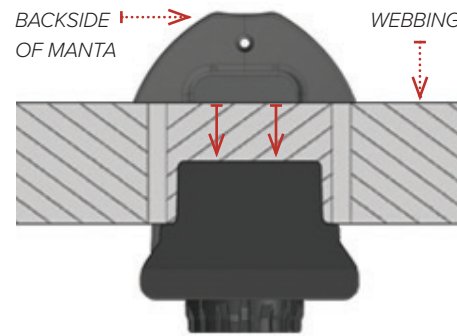


FEMALE END
OF MWA

- 1** Insert CR123A Battery into the Manta. Slide Manta into the Female End of MWA. Screw on Manta Tail Cap



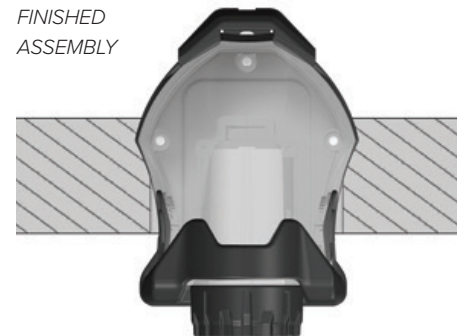
- 4** To Disassemble, squeeze the two tabs of the male end together and push back up.



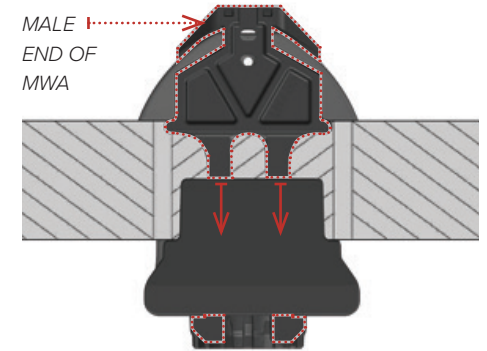
BACKSIDE
OF MANTA

WEBBING

- 2** Turn Manta over. Insert webbing into the backside of the Manta.



FINISHED
ASSEMBLY



MALE
END OF
MWA

- 3** Slide Male end of MWA into the back of the Manta until it clicks to secure webbing.



END USER INSTRUCTIONS - READ BEFORE USE

PRODUCT NAME:

Manta Strobe

with MANTA WEB ADAPTER (MWA)

PART NUMBER:

MS-00XX

MS-0011				
MS-0012				
MS-0013				
MS-0014				
MS-0015				
MS-0017				
MS-0019				
MS-0020				

- Power/Tailcap
- Side Buttons
- White Light
- Green Light
- IR Light
- Red Light
- Blue Light
- Vibrate 1x
- Vibrate 2x = Morse Code
- Vibrate 3x
- Strobe Up (Far IFF)
- Solid Light
- Strobe Down (Near IFF)

NOTE: Cycling through light functions requires simultaneous side buttons activation.



OPEN CAMERA TO VIEW USER INSTRUCTIONS OR VISIT
WWW.SSPGEAR.COM/END-USER-INSTRUCTIONS